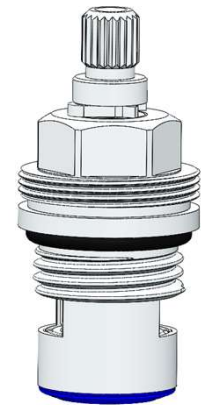


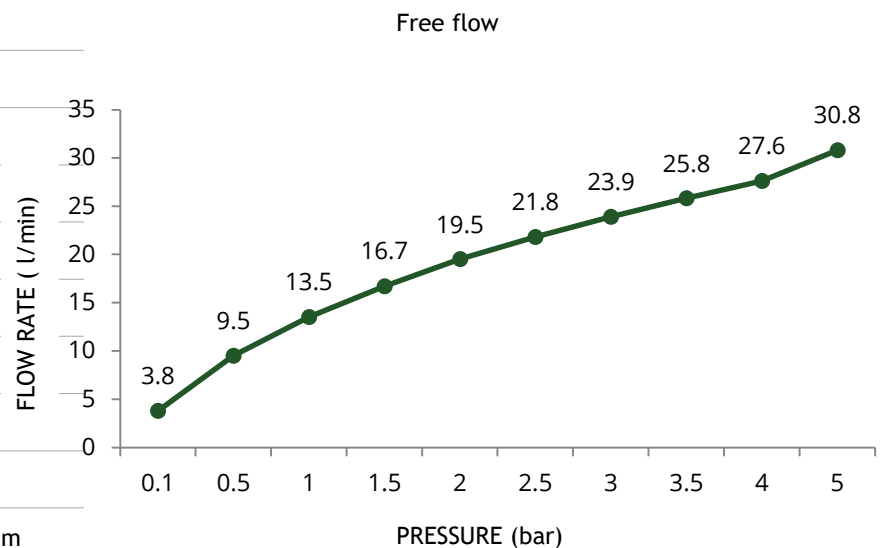
**STAINLESS STEEL HEADWORK  
CERAMIC HW 90°  
19MC090R103  
(RIGHT TO CLOSE)**



**Technical specifications (\*)**

Assembly torque	10 - 12 Nm
Rotation angle	90°
Working pressure (recommended)	1 - 5 bar
Pressure resistance - ASME A112	35 bar
Burst pressure	>50 bar
Life cycle - EN 200	200.000 cycles
Life cycle - ASME A112	500.000 cycles
Max. Hot water	90 °C
Max. Hot water recommended	65 °C
Flow rate at 3 bar (free flow)	23,9 l/min
Turn left - right	0.100 - 0.200 Nm
Material	STAINLESS STEEL

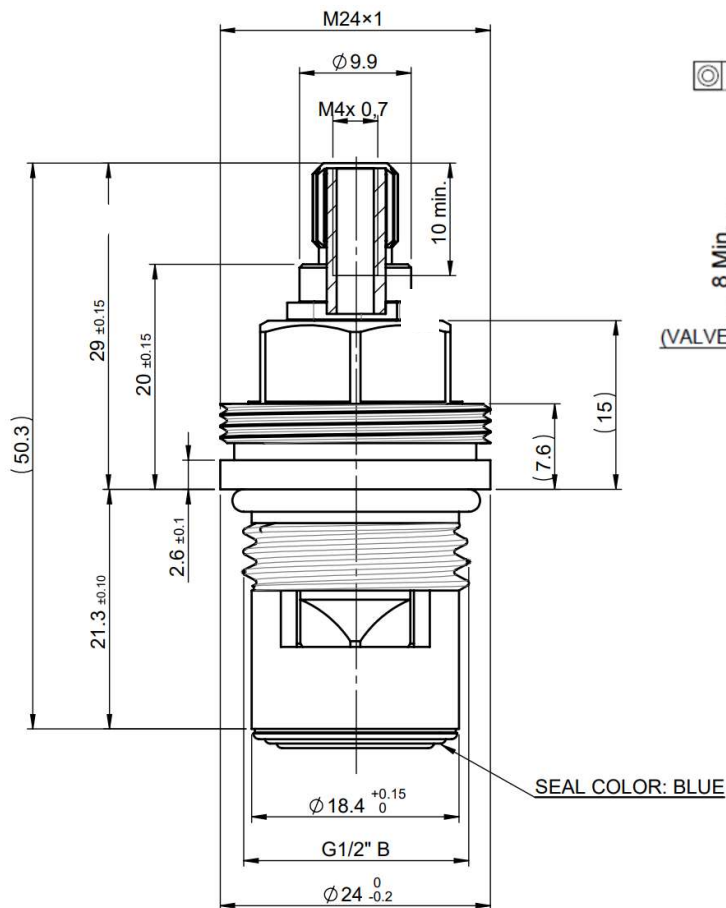
**Flow rate curve**



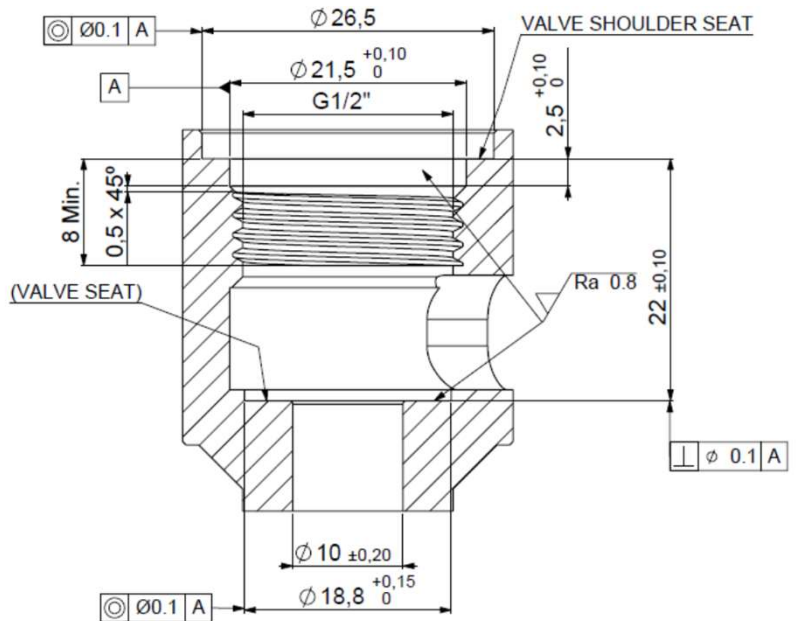
(\*) Measured with Sedal's faucet

STAINLESS STEEL  
HEADWORK  
19MC090R103

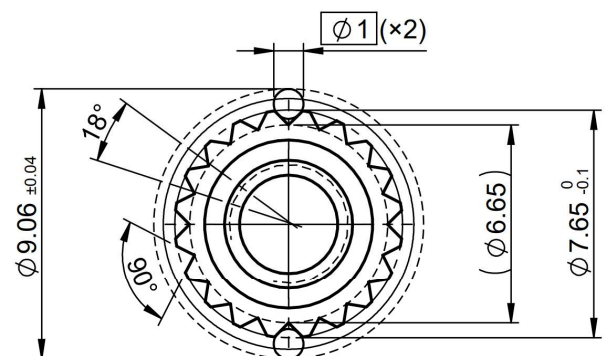
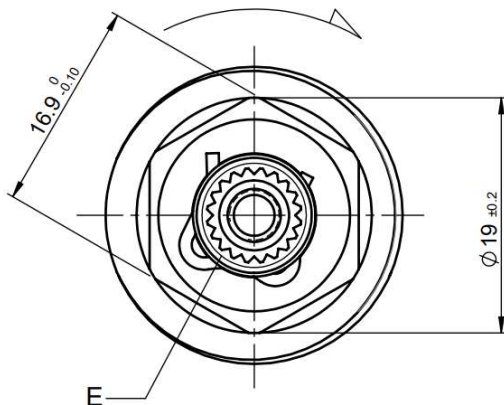
Technical dimensions



Machining tips



Turn right to closing direction



E-E: Milling detail  
20 teeth  
SCALE 4 : 1